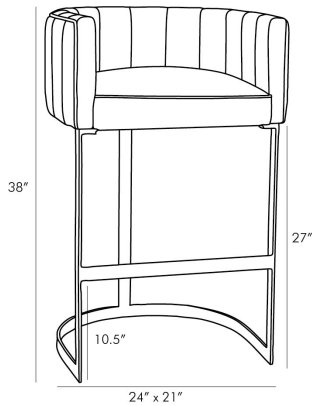


ARTERIOS

TATUM BAR STOOL



6883

H: 38 IN, W: 24 IN, D: 21 IN

Morel Leather, Antique Brass

Contract Suitable As Is

Drawing on the modernity of contemporary design, our Tatum Bar Stool showcases a modish yet timeless profile. The top-grain morel leather in combination with an antique brass modernizes the half-circle shape that echoes the design of traditional tub-style chairs. Also available as a counter stool (6884) or chair (6885).

APPEARANCE

Material	Brass, Leather
Finish	Antique Brass
Finish Will Vary	true
Top Coat/Sealant	false

DIMENSIONS

Foot Print	W: 24 IN, D: 21 IN
Yardage To Reupholster	2
Seat Back Height	8 IN
Seat	W: 20 IN, D: 20 IN
Seat Height	30 IN
Seat	W: 20 IN, D: 20 IN

SHIPPING

Shipping Requirements	TruckShip
Product Weight	43 LBS
Gross Weight 1	62 LBS
Shipping Box 1	H: 42 IN, L: 26 IN, W: 25 IN

ADDITIONAL INFO

Fabric Composition	100% Leather
Fabric Double Rub Count	N/A
Fabric Compliancy	NFPA-260, TB117-2013

CONTRACT

Contract Suitable	true
Contract Textile Suitability	High Traffic/Public Spaces
Swatch Number	T15SW, T158X8